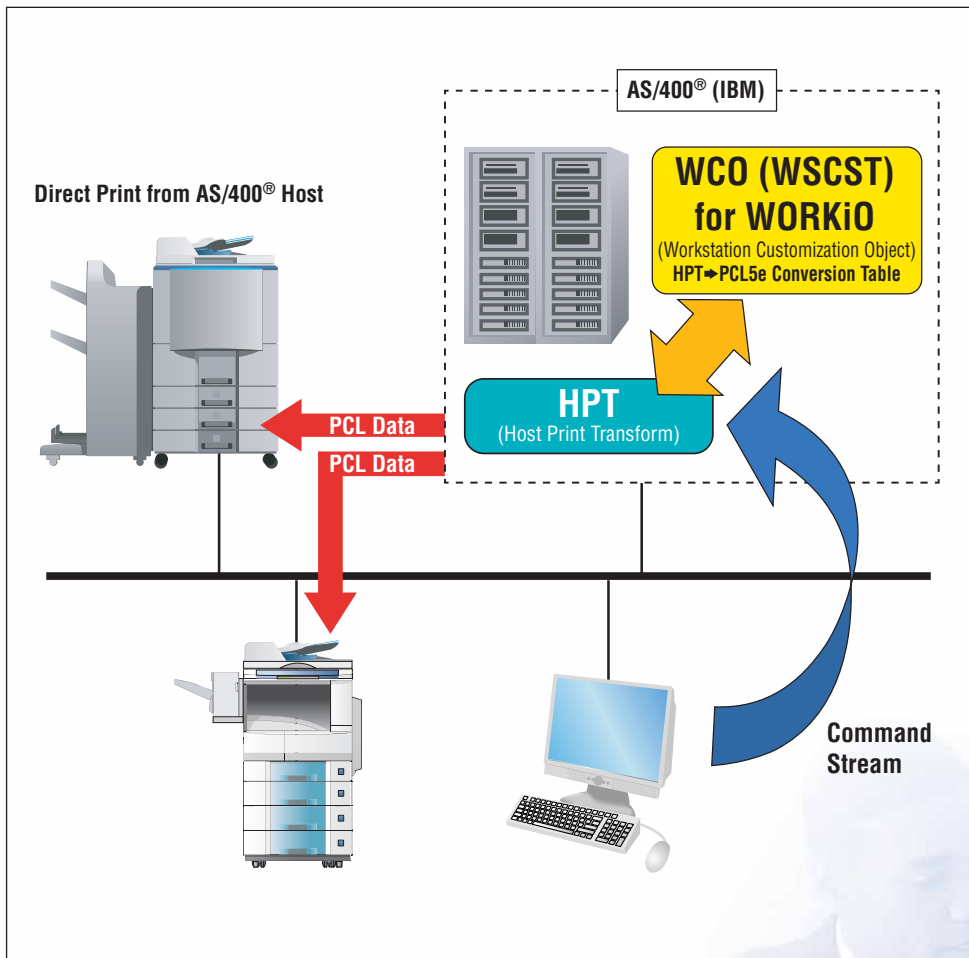


# AS/400<sup>®</sup> Host Printing System

## Lightweight Direct Host Printing



### Highlights

- Easy setup using IBM-supplied WCO (Workstation Customization Object) - available as a download from IBM
- Reduce printer and maintenance costs, as well as less space required for installation
- Utilize your networked copier/MFP to print from the AS/400<sup>®</sup> system, as well as integrated management of consumables
- Enable device management using the status monitoring software bundled with WORKiO

### Simple Host Printing Solution

Using the Workstation Customization Object (WCO) supplied by IBM, direct printing from the AS/400<sup>®</sup> system is possible with WORKiO Series models. This eliminates the need for an exclusive printer and installation space requirements are kept to a minimum, allowing more efficient use of office space. For users who have already purchased the AS/400<sup>®</sup> system together with an

exclusive printer, replacing it with the WORKiO Series allows you to take full advantage of the WORKiO's inherent multifunction capabilities such as copying and network printing, as well as using it as an AS/400<sup>®</sup> printer. In addition, when the fax or network scanner option is added, the WORKiO Series' multifunction capability is expanded still further.

### Designed for Easy Setup

Simply choose the IBM Workstation Customization Object (WCO) in the AS/400<sup>®</sup> system (provided for V5R1 or above) to enable printing from the

WORKiO Series. No special optional components or complicated setup is required, making system setup easy and foolproof. The WCO is available as a download directly from IBM for systems with V5R1 and V5R2 operating systems as a PTF (Program Temporary Fix). Supported operating systems system administrators can download the PTF via IBM's PTF download web service.

**Distributed Printing Solution**

The WORKiO Series can be used as a multifunctional document processor whose capabilities include high-quality, high-speed copying and network printing via the standard Ethernet interface. This greatly reduces the amount of valuable office space required for various document processing devices.

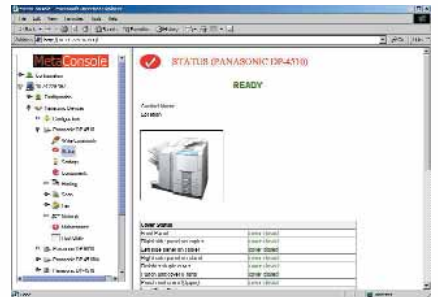
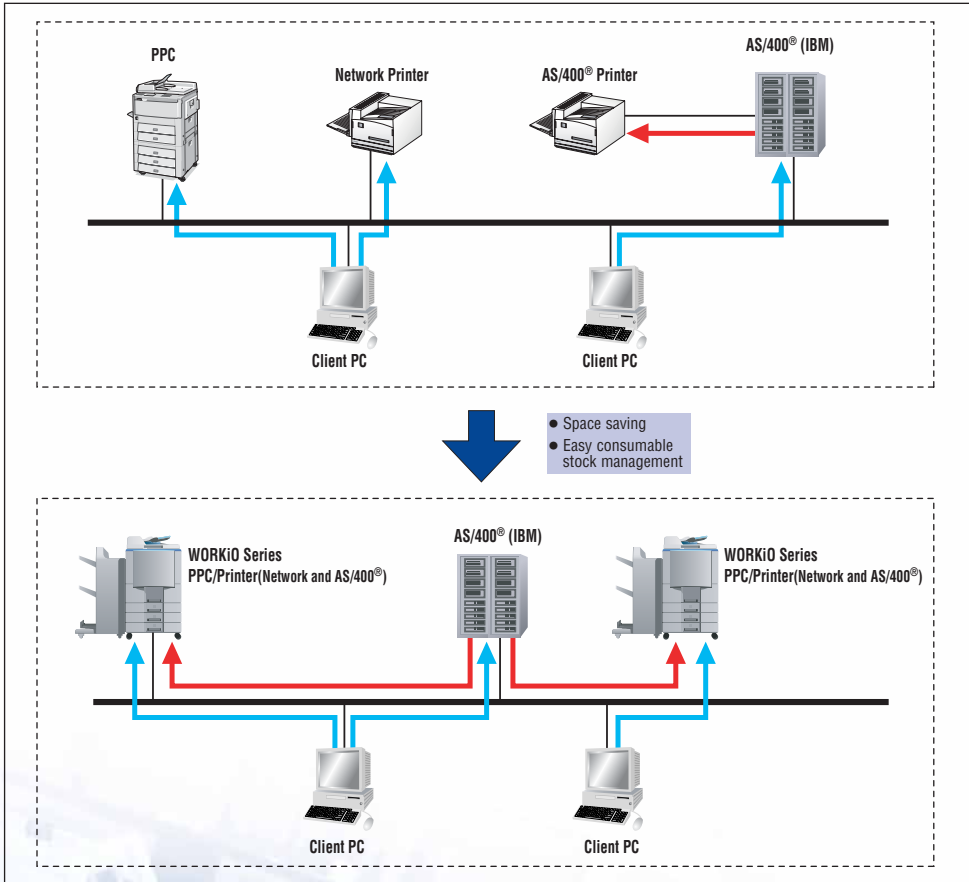
**Integrated Consumable Management**

When an AS/400<sup>®</sup> exclusive printer is replaced with the WORKiO Series, the toner, paper, and other consumables required for the exclusive printer will no longer be required. This greatly reduces the storage space and facilitates integrated stock management.

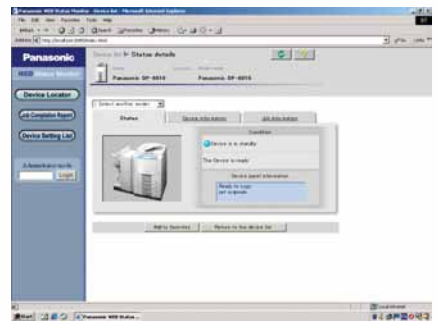
**Versatile Functions for WORKiO Series**

**Status Monitoring**

Even when the printer is installed away from your desk, you can monitor the status of the printer. When the Panasonic Console Management Server (Snap-in module with MetaConsole<sup>™</sup> technology) is installed in the Console Host, printer status can be monitored via Microsoft<sup>®</sup> Management Console (MMC), HP OpenView or Tivoli<sup>®</sup> NetView. Installing the Web Status Monitor offers even more flexibility, allowing printer status to be monitored from almost any type of computer including Macintosh systems using a standard web browser.



Console Manager (Netaphor<sup>™</sup>)



Web Status Monitor



Printing from AS/400<sup>®</sup> requires the PCL Printer Controller or PCL/PS Printer Controller.

© 2004 IBM Corporation. All rights reserved. AS/400<sup>®</sup> and Tivoli<sup>®</sup> are registered trademarks of IBM Corporation. MetaConsole<sup>™</sup> is a trademark of Netaphor<sup>™</sup> Software, Inc. OpenView is a registered trademark of Hewlett-Packard. Microsoft<sup>®</sup> and Microsoft<sup>®</sup> Management Console are registered trademarks of Microsoft Corporation. WORKiO<sup>®</sup> is a registered trademark of Matsushita Electric Industrial Co., Ltd. All other brand or product names are the property of their respective holders. Design and specifications are subject to change without notice.

**Applicable Models:**

- DP-6020/4520/3520,**
- DP-6010/4510/3510,**
- DP-3010/2310**

Panasonic Digital Document Company  
Unit of Matsushita Electric Corporation of America  
Two Panasonic Way, Secaucus, NJ 07094  
For a local dealer, please call 1-800-742-8086.  
<http://www.panasonic.com/office>

**Panasonic**  
**ideas for life**